

## Platinum™ Technology Connection Interface

### PLATINUM TECHNOLOGY

#### CONNECTION INTERFACE

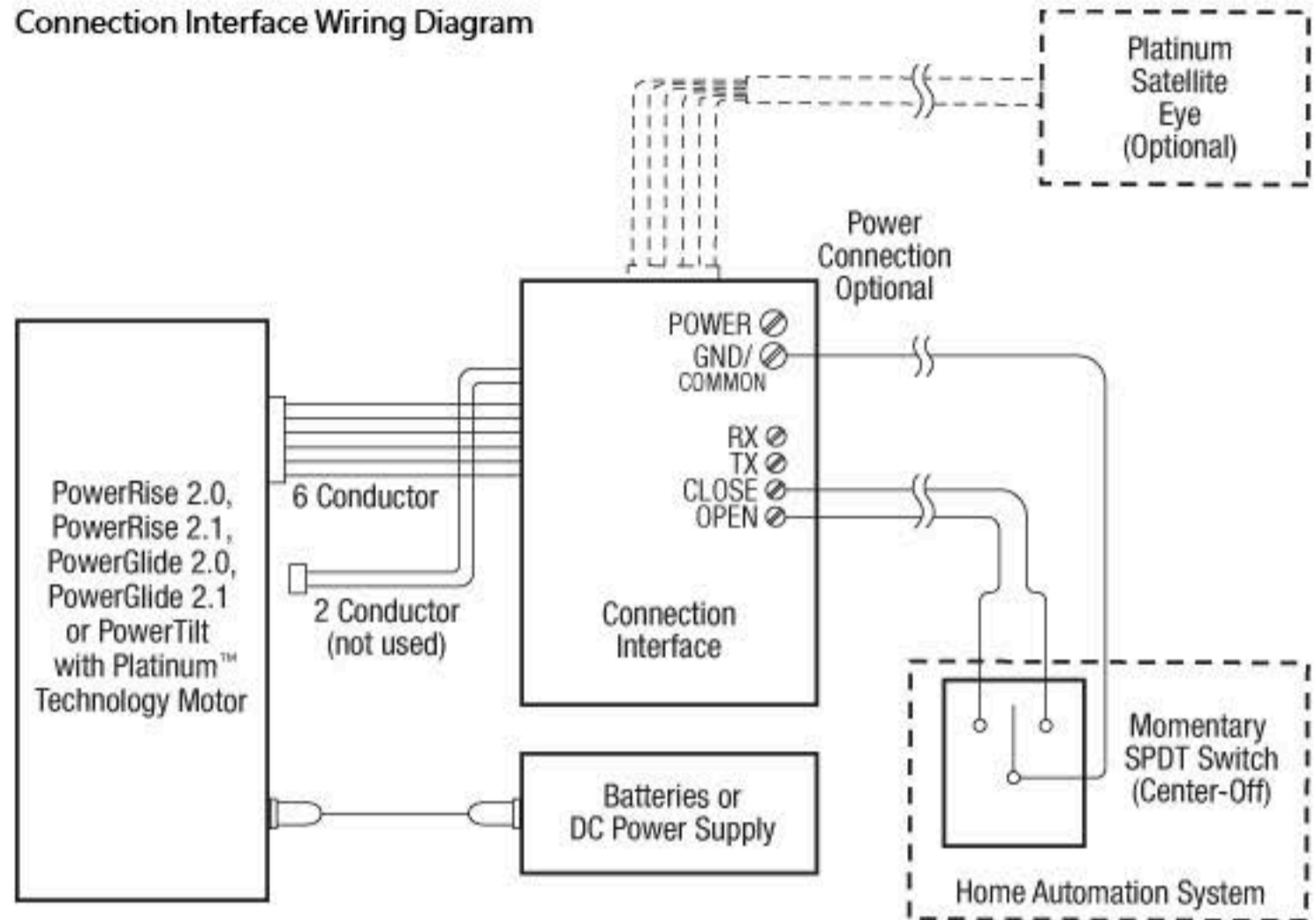
The connection interface allows for simple control of PowerRise® 2.0 and 2.1, PowerGlide® 2.0 and 2.1, and PowerTilt™ systems from a dry-contact closure (i.e., relay or switch) normally part of a smart-home automation or lighting system.

- 1 connection interface required per window covering.
- Mount near motor location.
- Power does not need to be applied to the connection interface for it to function.



Connection Interface

#### Connection Interface Wiring Diagram



*Note: RX and TX lines are not active; they are intended for future use.*

#### Note

- For more information on using the Connection Interface to integrate Platinum products into home automation systems, contact your Hunter Douglas fabricator.