

Spanning The Distance

ES/44 & ES/44SUP



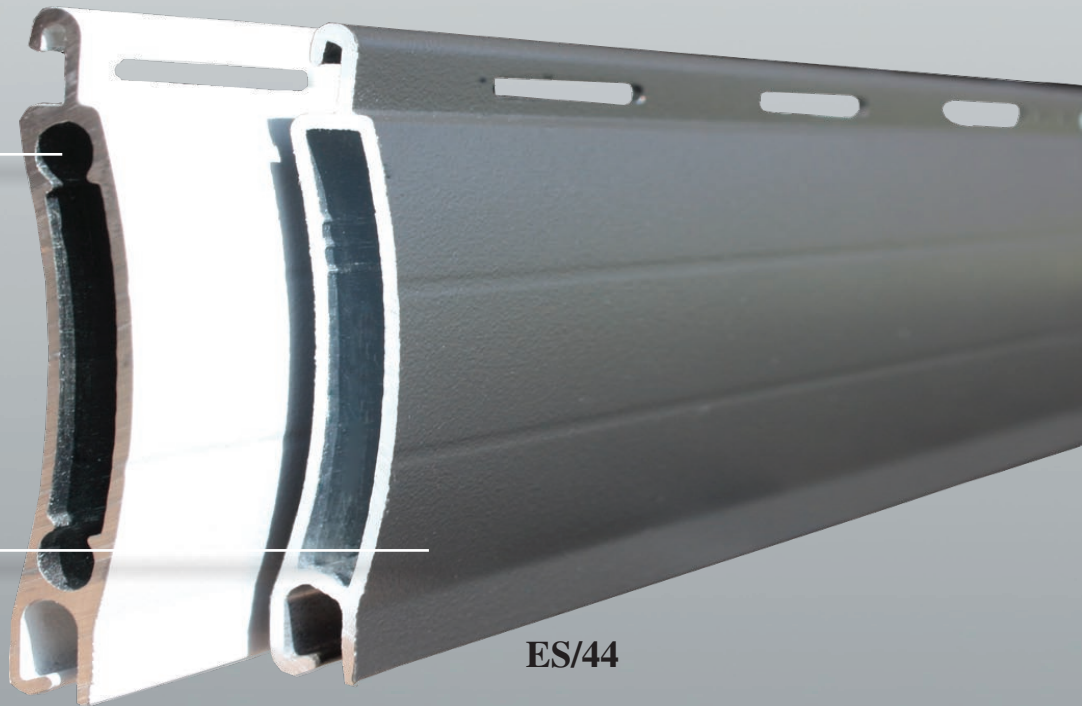
ES/44SUP

END RETENTION SYSTEM

For wider spans

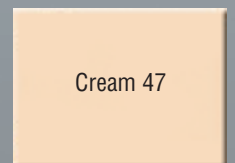
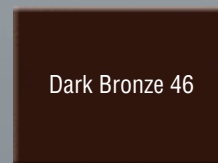
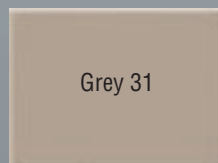
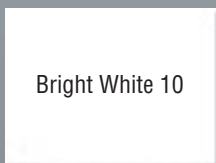
POWDER COATED FINISH

Provides durability against corrosion and fading



- Extreme strength from high quality extruded aluminum
- Five Year Limited Warranty
- In stock in Florida for immediate delivery
- Compact roll diameter for smaller housing

- ✓ ES44 approved by Florida Building Code FL5028 by Texas Department of Insurance SHU-52
- ✓ ES44SUP approved by Florida Building Code 11608 by Texas Department of Insurance SHU-186



Your Hurricane Manufacturer Specialist

WARRANTY
5 year

Crocì North America . 11600 Adelmo Lane . Fort Myers, FL 33966
1-800-951-1195 or 239-278-3066 www.crociousa.com

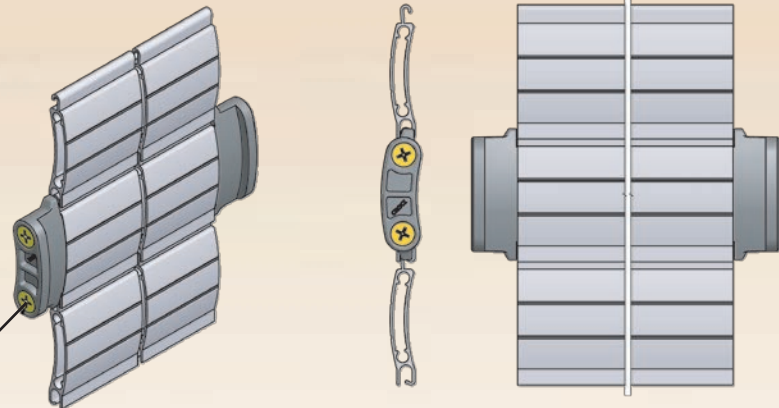
CROCI offers you the best in SECURITY and STORM PROTECTION for your home or business



- Competitive prices
- Adds value to home or business
- Provides more benefits than window products alone
- May be built-in at time of construction or as add-on
- Orders may be in bulk components, knock down kits or finished shutters
- Easier to install than impact-resistant glass
- Easier to replace damaged slats after a storm than damaged windows
- Powder coated without solvent to protect our environment

ES/44SUP SLAT END RETENTION SYSTEM

Same screw #10
as ES/55SUP



- Croci is an international company
- 50 years of experience in shutter design and manufacturing
- Family owned and operated
- Manufactured in the U.S. (Florida)



Croci North America . 11600 Adelmo Lane . Fort Myers, FL 33966
1-800-951-1195 or 239-278-3066 www.crociusa.com